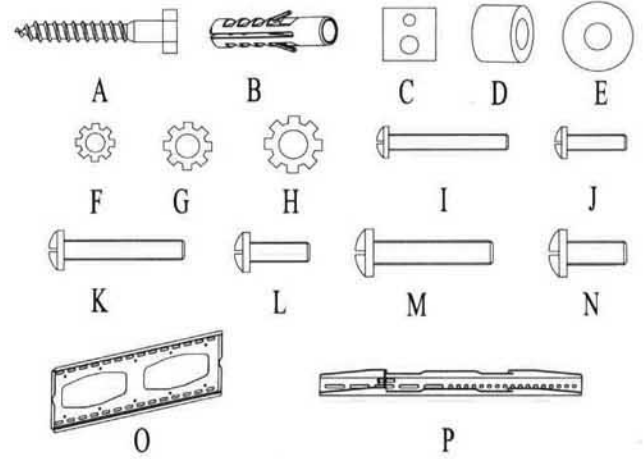


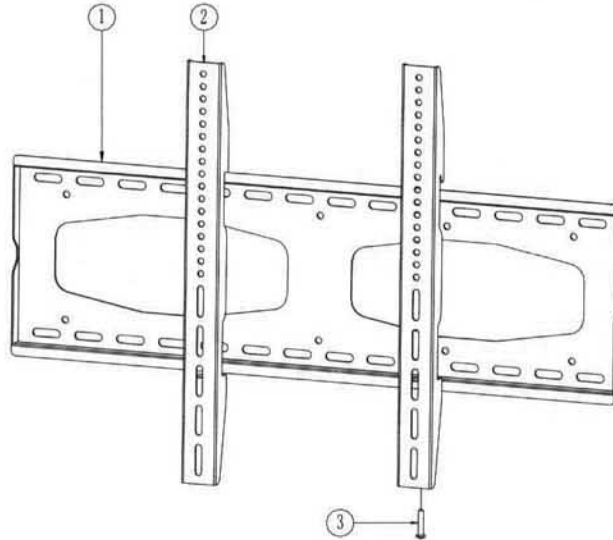
MUST BE FITTED BY PROFESSIONAL

1. Parts List

No.	Name of part	Material	Amount
A	lag bolts	Standard part	6
B	plastic anchors	Standard part	6
C	25*25 shim	Standard part	4
D	Plastic sleeve	PA	4
E	Ø8 washer	Standard part	6
F	Ø5 lock washer	Standard part	4
G	Ø6 lock washer	Standard part	4
H	Ø8 lock washer	Standard part	4
I	M5*30 Phillips screw	Standard part	4
J	M5*15 Phillips screw	Standard part	4
K	M6* 30Phillips screw	Standard part	4
L	M6*15 Phillips screw	Standard part	4
M	M8*30 Phillips screw	Standard part	4
N	M8*15 Phillips screw	Standard part	4
O	Wall Plate	Q215	1
P	Monitor Bracket	Q215	2



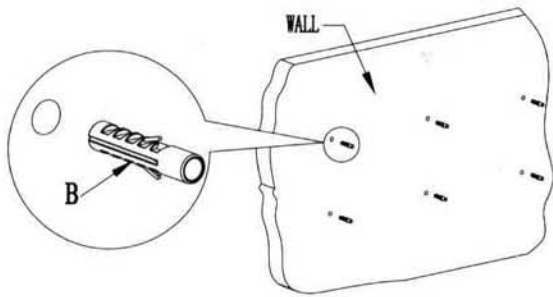
2.Name of parts



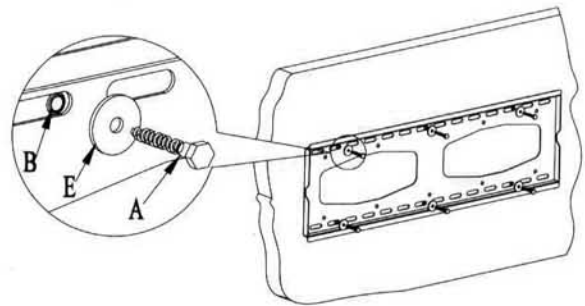
Item NO.	Symbol	Name of part	Material	Amount	Remark
1	LCD-835-01	Wall Plate	Q215	1	δ=2
2	LCD-835-02	Monitor Bracket	Q215	2	δ=2
3	M6*30	Phillips screw	Standard part	2	

3. Installation and operation instructions

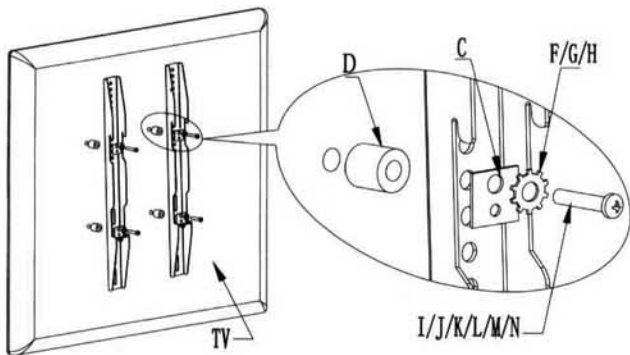
Step 1:



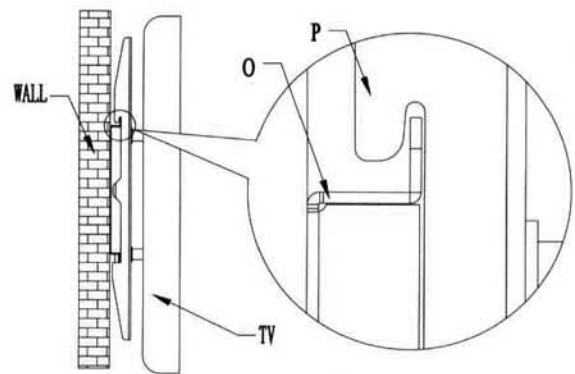
Step 2:



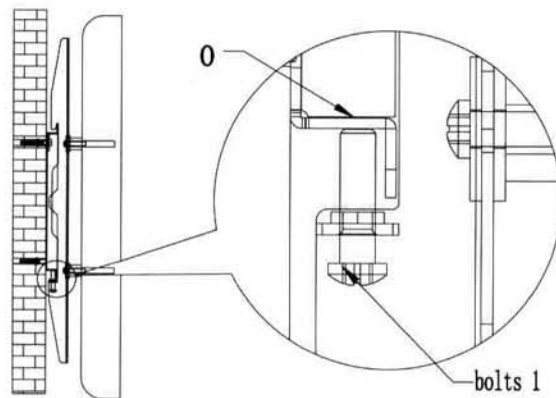
Step 3:



Step 4:



Step 5:



Must Be Fitted By A Professional.